

ENGINEERING CHANGE ORDER

E.C.O. NO. M-4575

147,148,461,462,474,475 &
476 SERVICE (DOM.& FOR.)
MODELS AFFECTED

DATE: 2-26-91
EFFECTIVITY: SEE BELOW

SHEET 1 OF 1

DISTRIBUTION:

<u>NAME</u>	<u>PRINTS</u>	<u>NAME</u>	<u>PRINTS</u>	<u>NAME</u>	<u>PRINTS</u>
BAUER	1	GARVELS	-	MILSTER	-
BOSWELL	-	HART	-	REED	1
COOPER	-	HOEPER	-	REDACTED	-
CUMMINS	-	KUESER	-	WATKINS	-
EWING	-	MATTHEWS	-	WIESE	1
GANTZERT	4	MICRO FILM	1	WILSON	-

SPECIAL DISTRIBUTION: ALBERS, FRENCH, G. KRAUSE, MILLER & SMITH 1-ECO; ABT 1-1.
FREER 1-SEPIA.

DESCRIPTION OF CHANGE:

NEW LOCKING BRACKET KIT BEING RELEASED TO PRODUCTION AT THE REQUEST OF SERVICE AND ENGINEERING.

NEW KIT TO BECOME EFFECTIVE WHEN DEMAND IS PLACED BY SERVICE DEPARTMENT.

THERE WILL BE NO TOOLING CHARGE FOR NEW BRACKET.

PURCHASING TO CONTACT R. THOMSON, PUBLICATIONS, FOR INSTRUCTION ART WORK.

THE N.V. MODEL SHOP WILL SUPPORT SERVICE REQUIREMENTS, IF NECESSARY, UNTIL NEW BRACKET BECOMES AVAILABLE FROM N.V.#3, APPROX. 3-18-91 PER MARK FREER.

NEW SERVICE NUMBERS (NEW NUMBERS ARE REVISION "A" AND DATED 2-22-91).

<u>PART NUMBER</u>	<u>DESCRIPTION</u>	<u>CODE</u>	<u>DWG. SIZE</u>
1472267	BRACKET-LOCKING	MC3-P	A
1472268	INSTRUCTIONS-INSTALLATION-LOCKING BRACKET	PC7-P	N/D
1472269	KIT-BRACKET-LOCKING	MA7-P	A

DISPOSITION OF STOCK:

NOT APPLICABLE.

STRUCTURE REVISIONS:

ADD NEW SERVICE PART NUMBERS TO ITEM MASTER FILE AND STRUCTURE WERE NECESSARY.

APPROVALS:

T. Ficken
ENGINEERING MANAGER

Ken Albers
ENGINEER

ENGR./SER.
REQUESTED BY

J. GARVELS
PREPARED BY

KIT PART NUMBER 1472269

INSTRUCTIONS FOR INSTALLING A LOCKING BRACKET KIT
IN A SNACK CENTER OR REFRESHMENT CENTER MERCHANDISER

**CHECK THE PARTS RECEIVED IN THE KIT WITH THE PARTS LIST
IN THESE INSTRUCTIONS. IF ANY PARTS ARE MISSING,
CONTACT NATIONAL VENDORS' PARTS DEPARTMENT IMMEDIATELY.**

Read these instructions carefully before installing the kit.
Retain these instructions for part numbers and for future reference.

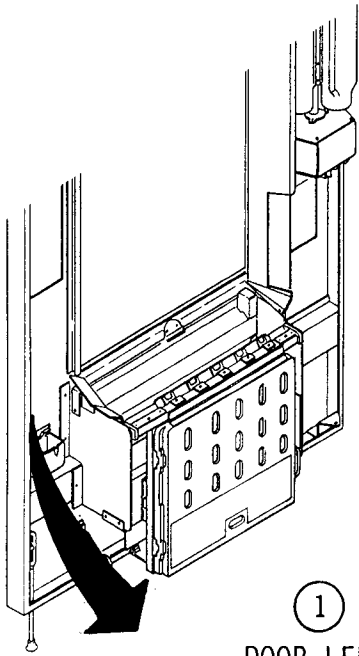
This kit contains the following:

PART NUMBER	DESCRIPTION	QUANTITY
1472267	Bracket - Locking	1
1302282	Screw #6-18 x 7/16 RHS	1
1472268	Instructions - Installation	1

INSTALLING THE LOCKING BRACKET

Refer to Figure 1 while performing the following procedure.

1. Remove the door trim from the left side of the door.
2. Position the locking bracket as shown.
3. Mark center for the hole using the bracket as a template.
4. Drill a 3/16 inch hole at marked center.
5. Secure the door trim to the door at all trim fastener locations except at the new bracket location.
6. Secure the locking bracket to the door at the remaining trim fastener location using the previously removed screw. Secure the bracket at the drilled hole using the #6-18 screw provided in the kit.



NOTE

CIRCLED NUMBERS CORRESPOND TO STEPS ON PAGE 1.

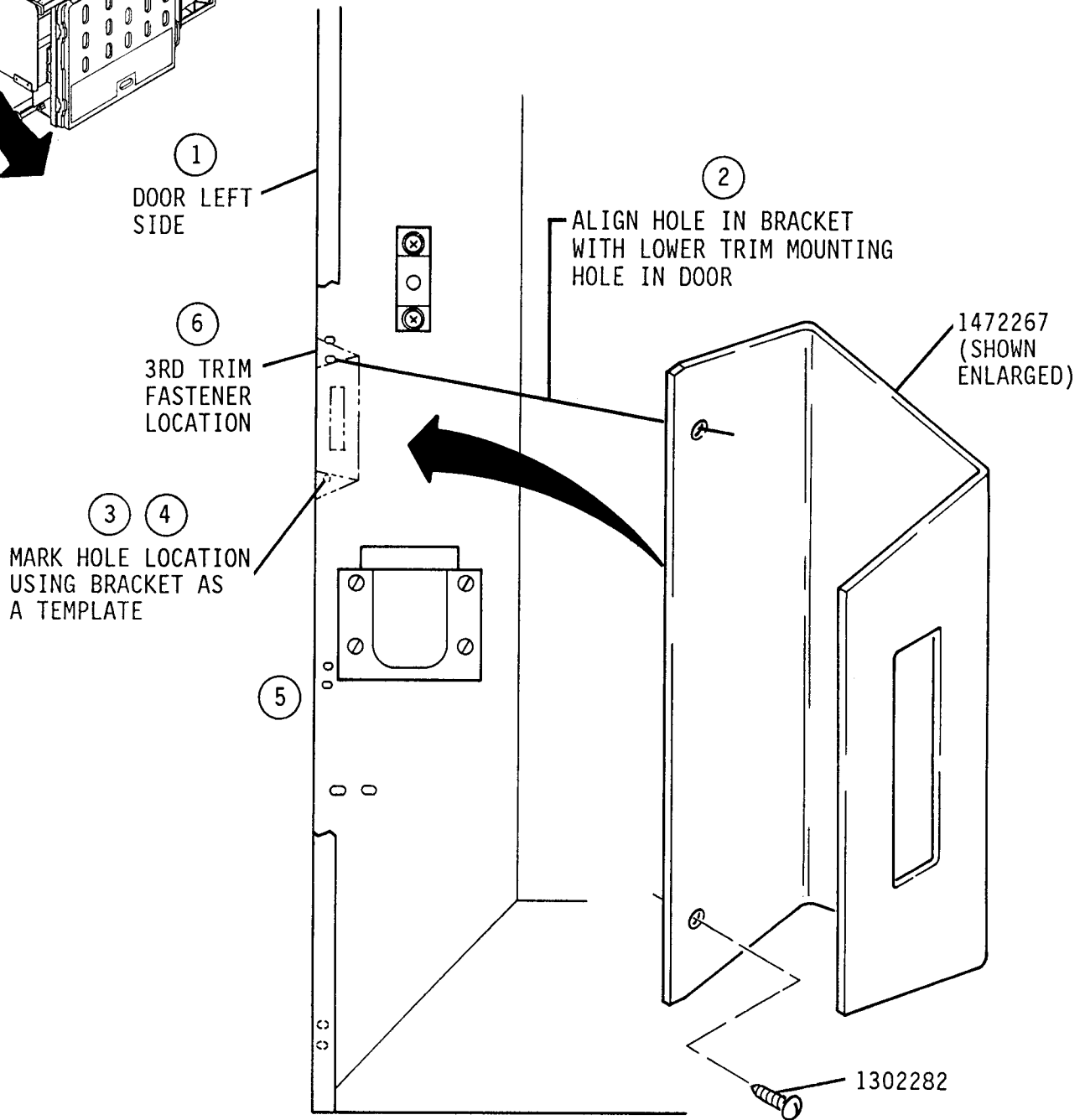


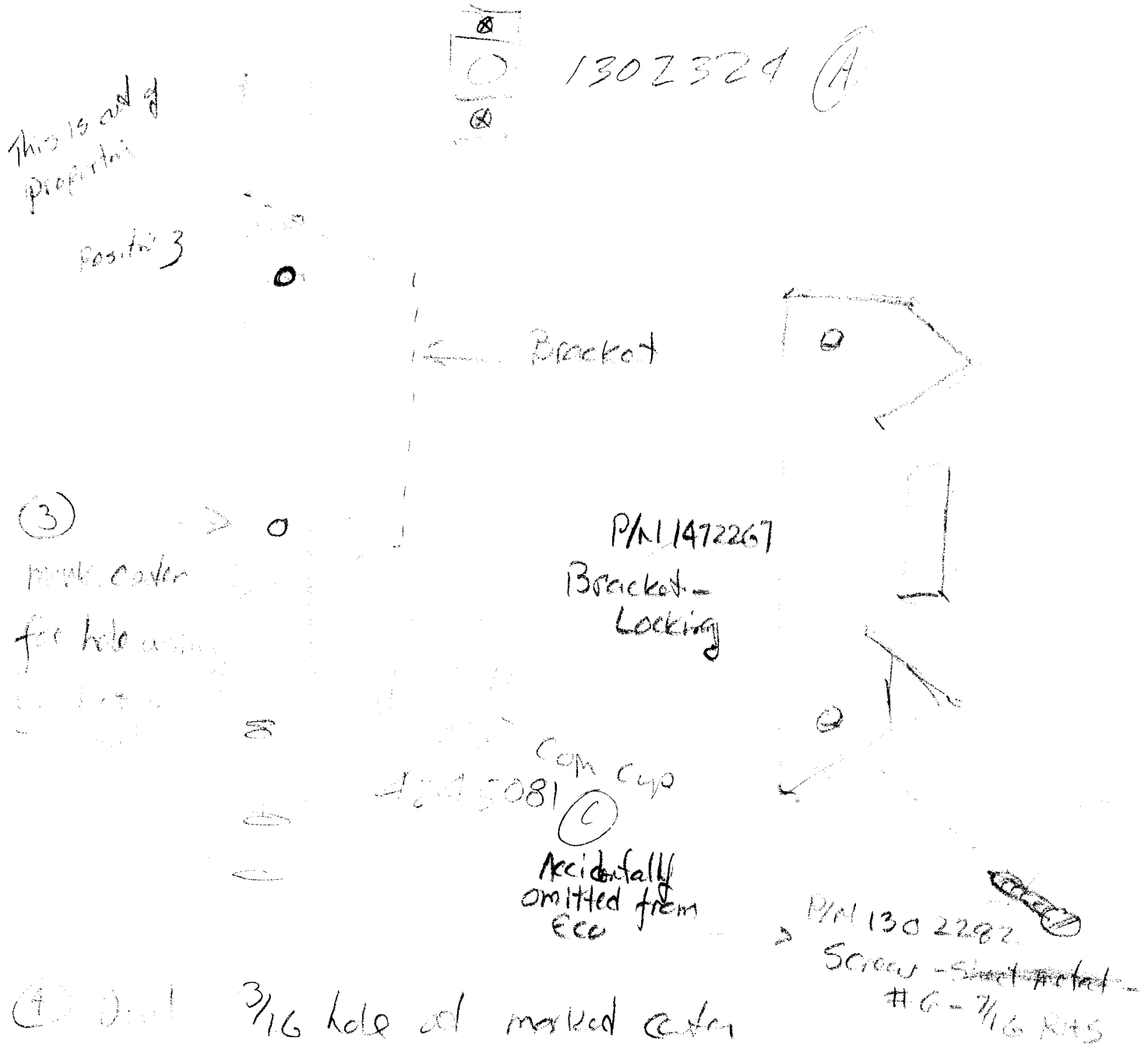
Figure 1.

KIT 1472269

INSTRUMENTS 1472268

ECO M - 4575

- ① Remove side door from your right side of door
- ② Position bracket as shown below



④ Drill $3/16$ hole at marked center

⑤ Secure side door from to door at the top 5. Position end after bolting position

⑥ Secure the Bracket at the lower hole of the remaining position and at the end

KIT PART NUMBER 1472269

INSTRUCTIONS FOR INSTALLING A LOCKING BRACKET KIT
IN A SNACK CENTER OR REFRESHMENT CENTER MERCHANDISER

**CHECK THE PARTS RECEIVED IN THE KIT WITH THE PARTS LIST
IN THESE INSTRUCTIONS. IF ANY PARTS ARE MISSING,
CONTACT NATIONAL VENDORS' PARTS DEPARTMENT IMMEDIATELY.**

Read these instructions carefully before installing the kit.
Retain these instructions for part numbers and for future reference.

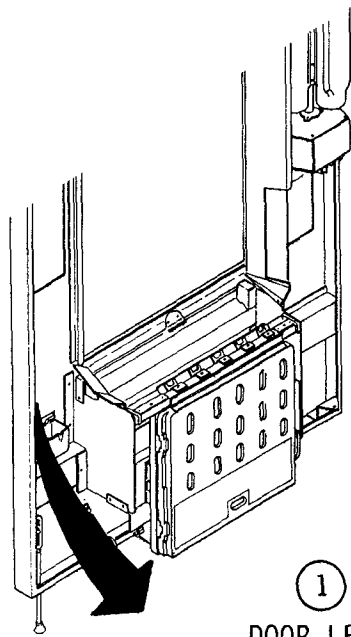
This kit contains the following:

PART NUMBER	DESCRIPTION	QUANTITY
1472267	Bracket - Locking	1
1302282	Screw #6-18 x 7/16 RHS	1
1472268	Instructions - Installation	1

INSTALLING THE LOCKING BRACKET

Refer to Figure 1 while performing the following procedure.

1. Remove the door trim from the left side of the door.
2. Position the locking bracket as shown.
3. Mark center for the hole using the bracket as a template.
4. Drill a 3/16 inch hole at marked center.
5. Secure the door trim to the door at all trim fastener locations except at the new bracket location.
6. Secure the locking bracket to the door at the remaining trim fastener location using the previously removed screw. Secure the bracket at the drilled hole using the #6-18 screw provided in the kit.



NOTE

CIRCLED NUMBERS CORRESPOND TO STEPS ON PAGE 1.

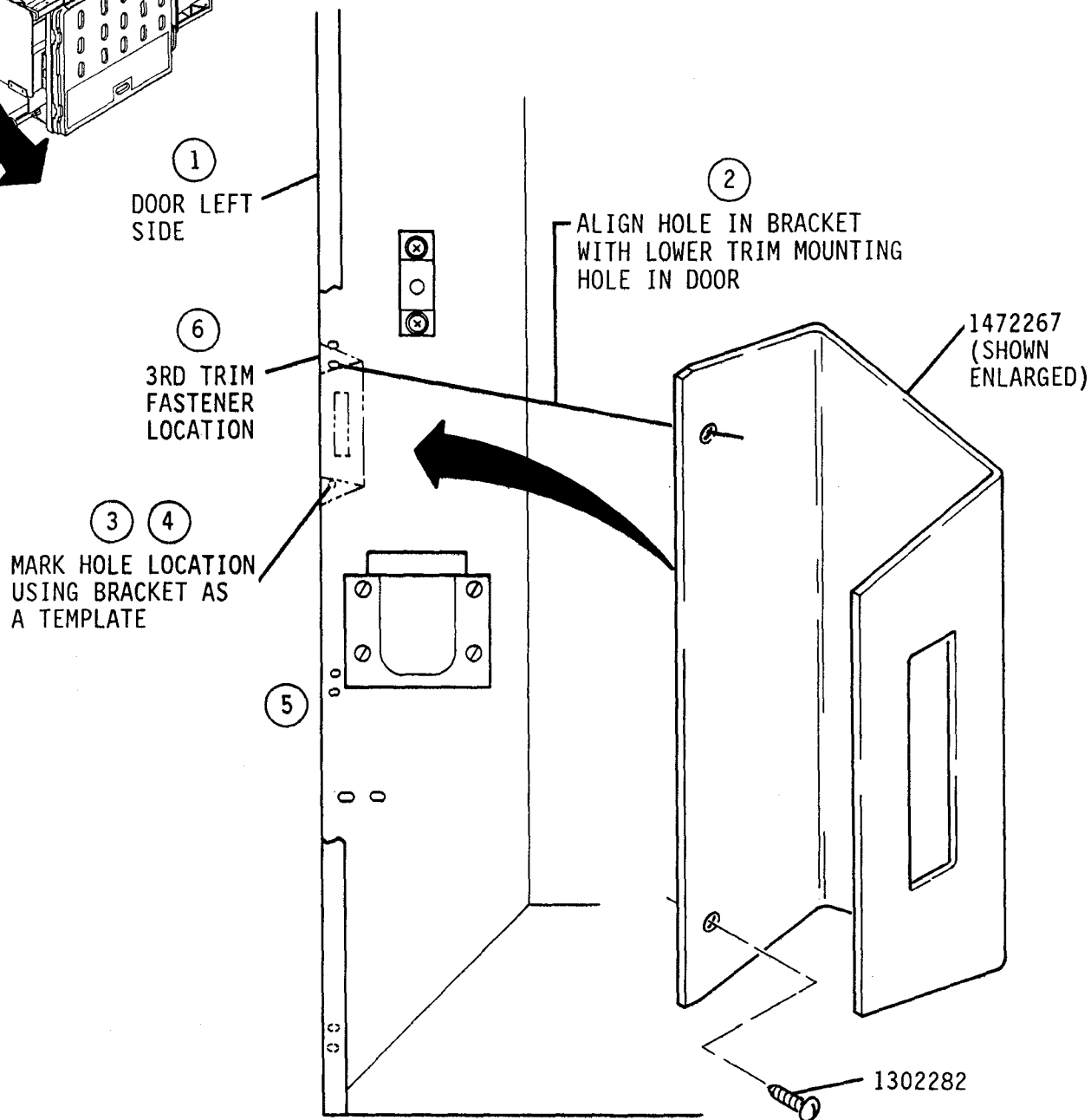


Figure 1.

KIT PART NUMBER 1472269

INSTRUCTIONS FOR INSTALLING A LOCKING BRACKET KIT
IN A SNACK CENTER OR REFRESHMENT CENTER MERCHANDISER

**CHECK THE PARTS RECEIVED IN THE KIT WITH THE PARTS LIST
IN THESE INSTRUCTIONS. IF ANY PARTS ARE MISSING,
CONTACT NATIONAL VENDORS' PARTS DEPARTMENT IMMEDIATELY.**

Read these instructions carefully before installing the kit.
Retain these instructions for part numbers and for future reference.

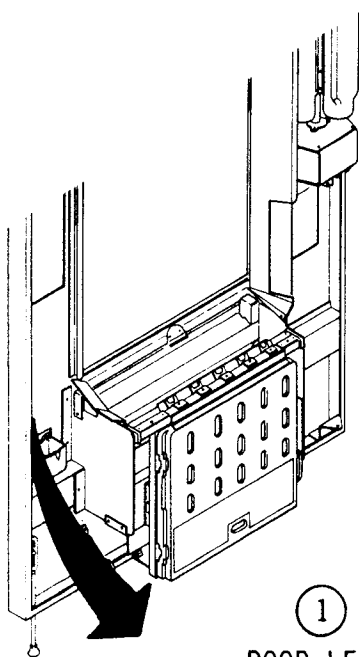
This kit contains the following:

PART NUMBER	DESCRIPTION	QUANTITY
1472267	Bracket - Locking	1
1302282	Screw #6-18 x 7/16 RHS	1
1472268	Instructions - Installation	1

INSTALLING THE LOCKING BRACKET

Refer to Figure 1 while performing the following procedure.

1. Remove the door trim from the left side of the door.
2. Position the locking bracket as shown.
3. Mark center for the hole using the bracket as a template.
4. Drill a 3/16 inch hole at marked center.
5. Secure the door trim to the door at all trim fastener locations except at the new bracket location.
6. Secure the locking bracket to the door at the remaining trim fastener location using the previously removed screw. Secure the bracket at the drilled hole using the #6-18 screw provided in the kit.



NOTE

CIRCLED NUMBERS CORRESPOND TO STEPS ON PAGE 1.

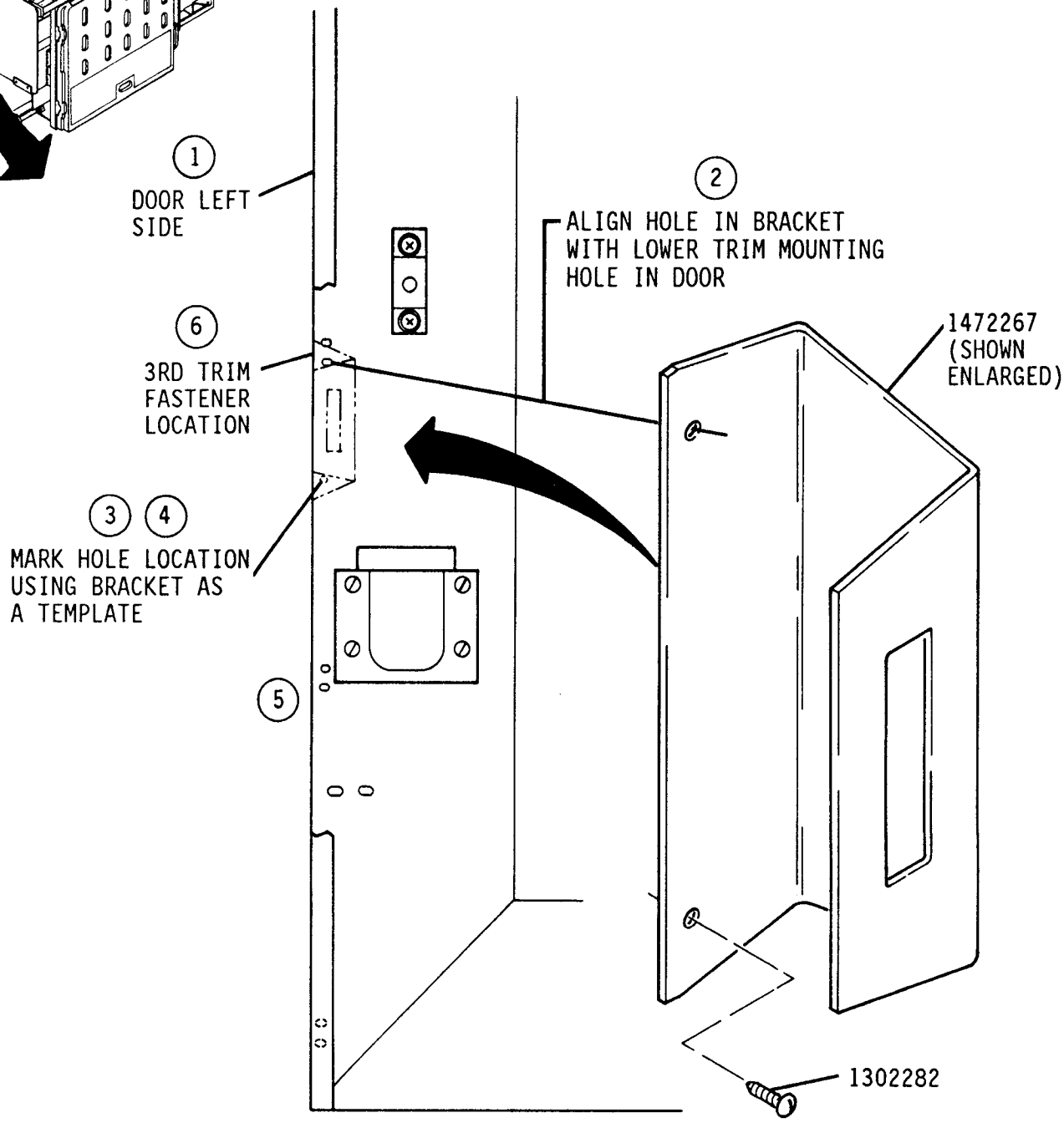


Figure 1.
2 of 2